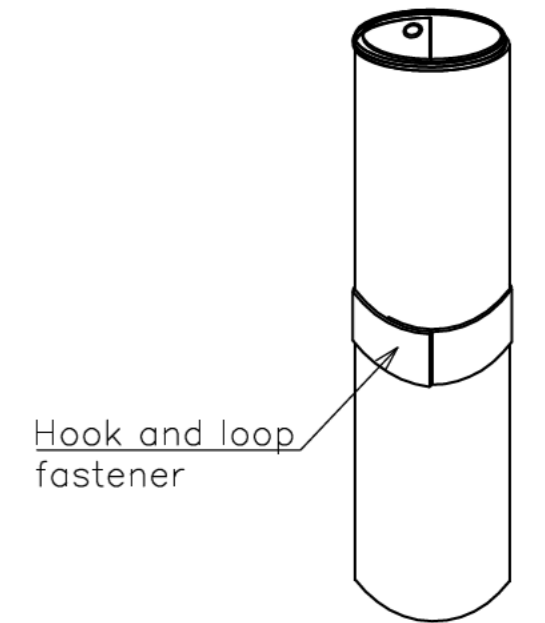
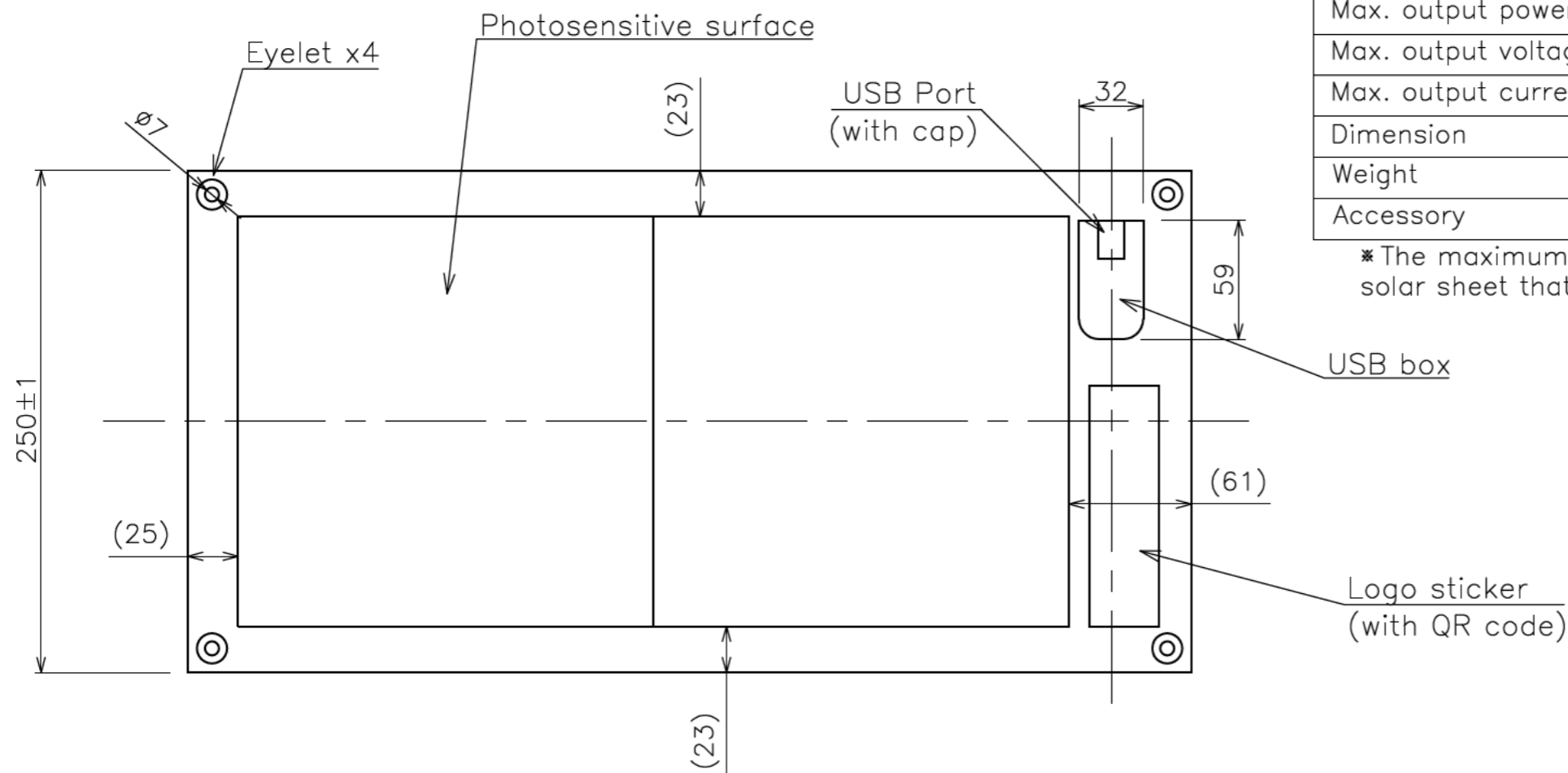


### Specifications

Max. power generation capacity *	5.4W
Max. output power	4.75W
Max. output voltage	5.0V
Max. output current	0.95A
Dimension	500X250Xt1(protrusions excluded)
Weight	Approx. 0.14kg
Accessory	Storage bag(with strings)× 1

\* The maximum power generation capacity is the value of a single solar sheet that does not go through the circuits in the USB box.



When stored

