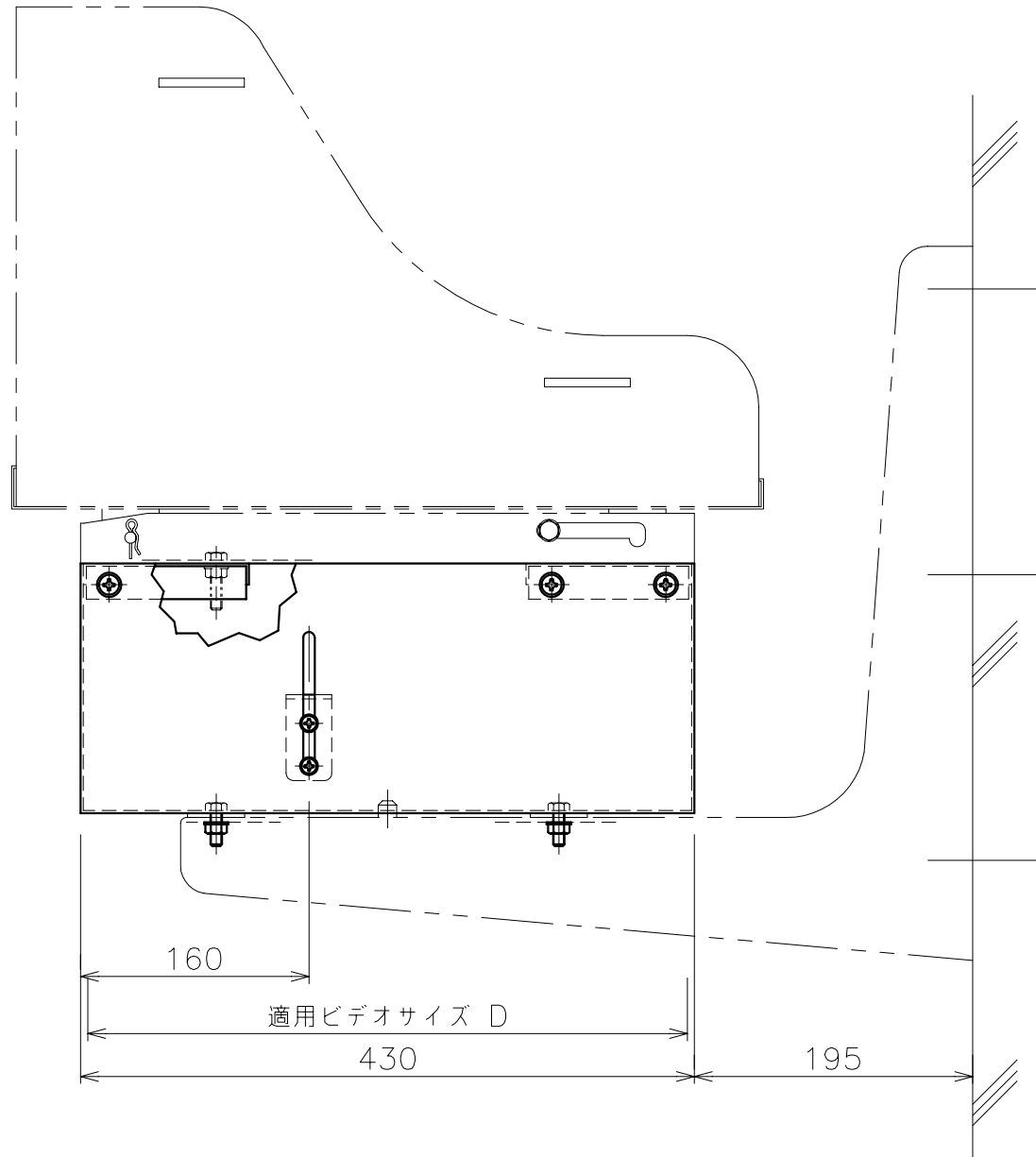
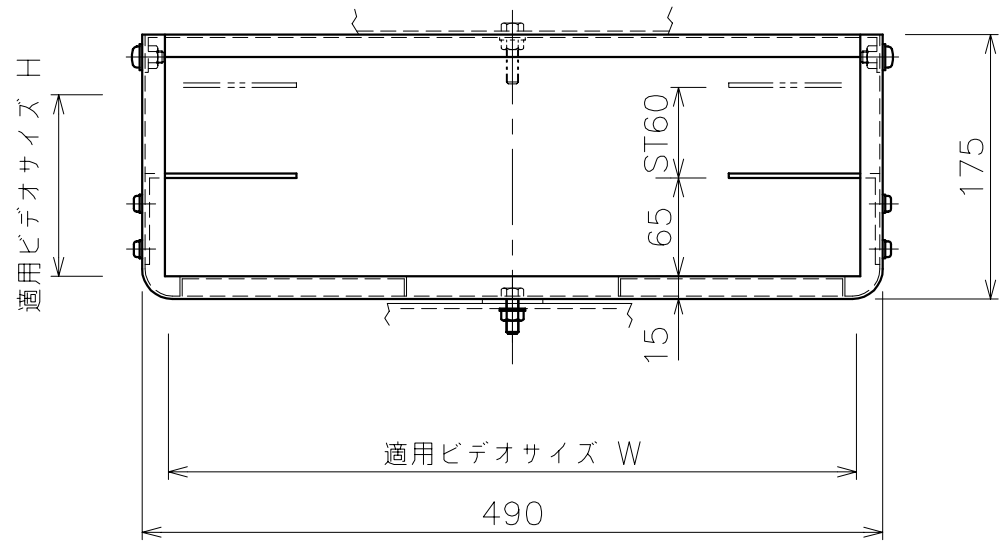
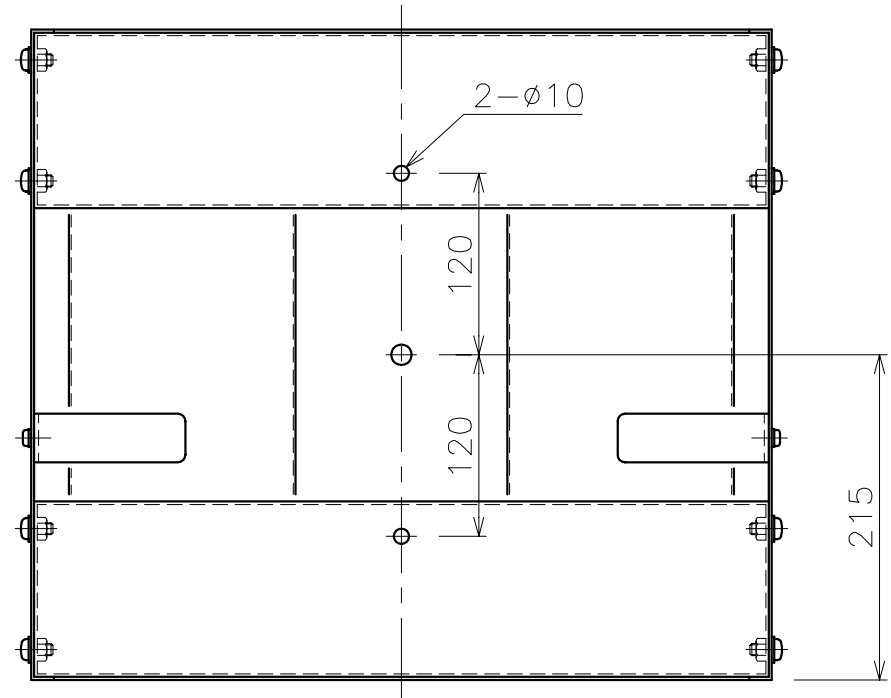


適用ビデオサイズ W : 400~470
 H : 70~120
 D : MAX 420
 最大搭載荷重 : 0.15kN (15kgf)




塗装色:

- アイボリー (TH-KVC) : 日塗工 B25-90C相当 (半艶焼付塗装)
- ブラック (TH-KVCK) : 日塗工 BN-30相当 (半艶焼付塗装)

主要材質: SPHC (本体)

質量: 13.0kg

| | | | |
|---------|----------------------|-----------|-------|
| △ | | . | . |
| △ | | . | . |
| ① | NAME 欄表記修正・DWG No.修正 | '05.01.19 | H.K |
| HISTORY | REVISION | DATE | SIGN. |

| NO. | PART NAME | DWG. NO | DESCRIPTION | Q'TY | MATERIAL |
|--|-----------|------------|-------------|-------------|----------|
| ANGLE | 3rd | TOLERANCE | MATERIAL | NAME | |
| UNIT | mm | | FINISH | ビデオケース | |
| SCALE | 1/5 | | CODE NO | TH-KVC [K] | |
| | DRAWN BY | PLANNED BY | CHECKED BY | APPROVED BY | DWG. NO |
| | . | . | '04.01.30 | . | TH-KVC ① |
|  株式会社オーエス | | | | | |